

CONVENTIONAL DETECTOR BASES

NS6 AND NS4 SERIES BASE



| NS Series Bases | Alarm Current | ID |
|----------------------|--------------------------|-------|
| NS6-224 OR NS4-224 | 43mA (70mA @ 33.0V MAX) | HB-5 |
| NS6-220 OR NS4-220 | 93mA (136mA @ 33.0V MAX) | HB-3 |
| NS6-221 OR NS4-221 | 46mA (77mA @ 33.0V MAX) | HB-4 |
| NS6-100* OR NS4-100* | 150mA @ 15.0-33.0V MAX | HB-55 |

* Requires external current limiting to 150mA maximum

The NS6 and NS4 series bases are designed specifically for use with Hochiki's conventional models:

- Photoelectric smoke detectors: SLR-24V, SLV-24, SLV-24N, SLV-24V, SLR-835, SLR-24H
- Photoelectric with heat smoke detector: SLR-835H
- Fixed temperature/rate-of-rise heat detector: DCD-135/190

The NS6 base is an electronics free 6" base featuring a plastic tamper-lock lug. Each base is equipped with a resistor. Please refer to the chart (left) for additional specifications. The NS4 base is a 4" version of the NS6 base.

Models HSC-224R, HSC-220R and the HSC-221R are designed specifically for use with the Hochiki conventional models SLR-24H, SLR-24V, SLV-24, SLV-24N, SLV-24V, SLR-835, SLR-835H, DCD-135/190. The HSC-(X)R series is a 6" base with two sets of Form "C" relay contacts.

Models HSC-224R, HSC-220R and the HSC-221R are also approved for use with Hochiki's previous conventional model DFE 135/190.

HSC-(X)R RELAY BASE & HSC- 4R 4 WIRE BASE



| 2 Wire Auxiliary Relay Bases | Alarm Current | ID |
|------------------------------|-------------------------|-------|
| HSC-224R | 43mA (58mA @ 30.0V MAX) | HB-73 |
| HSC-220R | 88mA (98mA @ 26.5V MAX) | HB-72 |
| HSC-221R | 49mA (62mA @ 30.0V MAX) | HB-71 |

| 4 Wire Base | Alarm Current | ID |
|-------------|-------------------------|-----|
| HSC-4R | 43mA (58mA @ 30.0V MAX) | N/A |

The HSC-4R is designed specifically for 24 volt 4 wire applications using Hochiki conventional models SLR-24H, SLR-24V, SLV-24, SLV-24N, SLV-24V, SLR-835, SLR-835H or DCD-135/190. The 6" diameter base is current limited. Relay contact place a direct short circuit across the loop when the detector is actuated.

Model HSC-4R is also approved for use with Hochiki's previous conventional model DFE 135/190.

The HSC-L base series are designed specifically for use with the Hochiki fixed temperature heat detectors (models DFE-135/190).

The HSC-L series is a 6" base featuring a current limiting resistor, latching annunciator output and a latching circuit so the alarm LED will remain lit until the control panel has been reset.

Bases are available in bone or white to match the detector. Bone (off-white) is the standard color for detectors and bases for most applications.

HSC-(X) L LATCHING LED BASE



| 2 Wire Latching | Alarm Current | ID |
|-----------------|---------------------------------------|-------|
| HSC-224L | 35-42mA @ 24V (54mA MAX) | HB-62 |
| HSC-220L | 67-80mA @ 24V (88.5mA @ 26.5V DC MAX) | HB-64 |
| HSC-221L | 37-45mA @ 24V (57mA MAX) | HB-63 |

| BASE | BOX MOUNTING | | |
|----------|--------------|--------|--------|
| | 3" OCT | 4" OCT | 4" SQR |
| NS4-BASE | YES | NO | NO |
| NS6-BASE | NO | YES | YES |
| HSC-BASE | NO | YES | YES |

PRODUCT LISTINGS



California State
Fire Marshal
7300-0410-0132

We try to keep our product information up-to-date and accurate. However, we cannot cover all specifications or anticipate all requirements. For additional information contact your local distributor or Hochiki America Corporation.

SYSCOM - Mexico - www.syscom.mx
ventas@syscom.com.mx
EPCOM - U. S. A. - www.epcom.net
sales@epcom.net

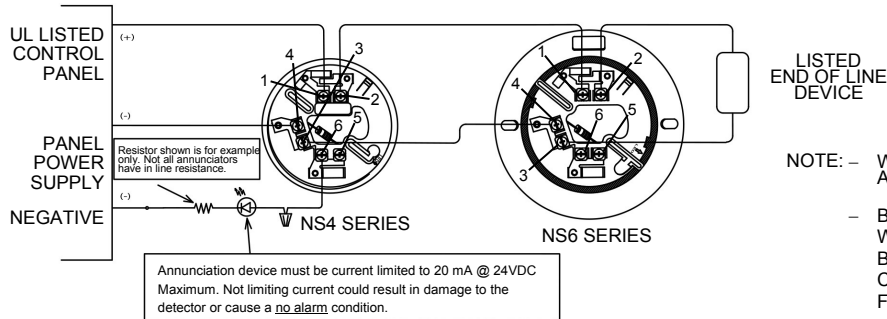


Find latest revision at www.hochiki.com

CONVENTIONAL DETECTOR BASES

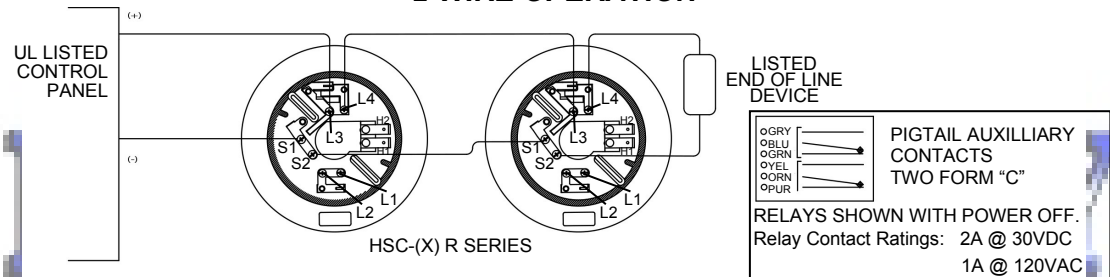
NS4 AND NS6 SERIES BASE

2-WIRE OPERATION



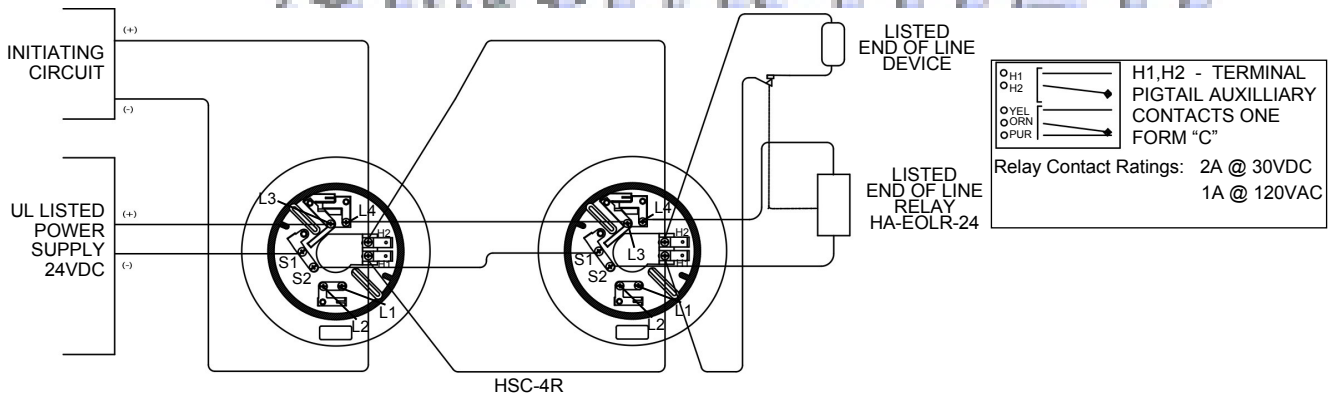
HSC-(X)R RELAY BASE

2-WIRE OPERATION



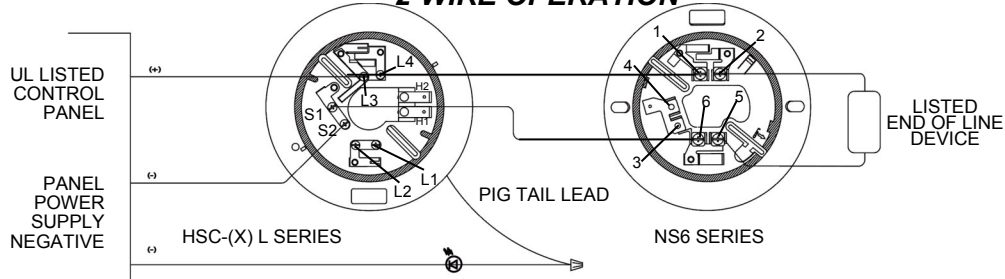
HSC-4R FOUR WIRE BASE

4-WIRE OPERATION



HSC-(X) L LATCHING LED BASE

2-WIRE OPERATION



We try to keep our product information up-to-date and accurate. However, we cannot cover all specifications or anticipate all requirements. For additional information contact your local distributor or Hochiki America Corporation.